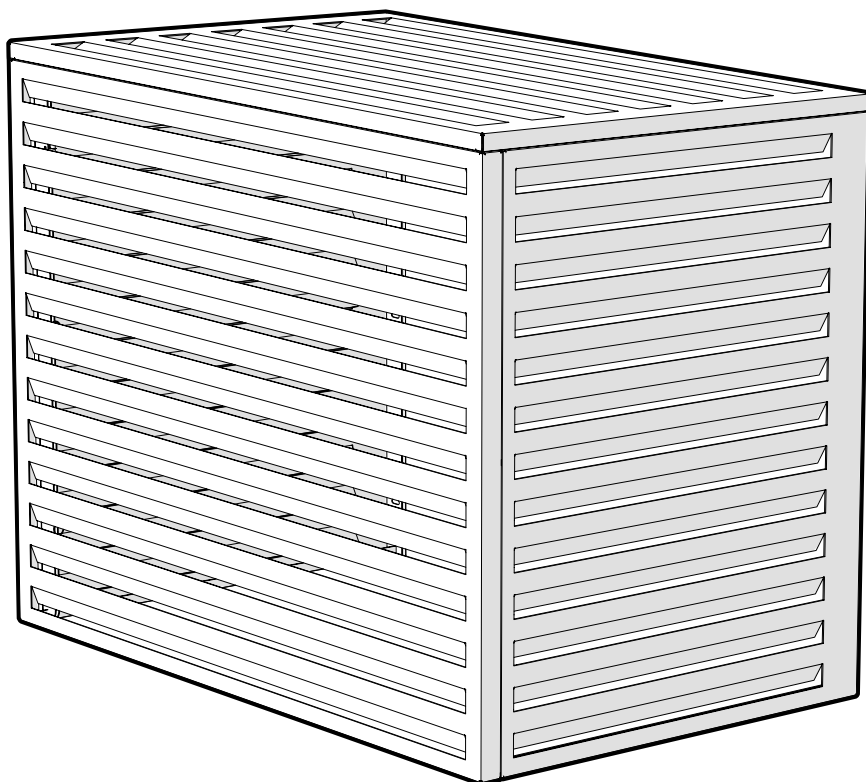


evolar



Model numbers: EVO-COVER-CENT-XL, EVO-COVER-EXT-XXL, EVO-LOUVRE-CENT-XL,
EVO-LOUVRE-EXT-XXL

EVOLAR EVO COVER

User manual

FOREWORD



Thank you for purchasing the Evolar cover.

This manual contains all the information required for the safe and correct use and installation of the Evolar cover.



Make sure you have read and understood the entire contents of this manual before installing or maintaining the product.

Symbols in this manual

Symbols	Explanation
	Indicates a hazardous situation, that, if not avoided, could result in minor or moderate injury.
	Indicates a situation, that, if not avoided, could result in damage to the product or the environment.

CONTENTS

1	Product	4
1.1	Description	4
1.2	Main parts	4
1.3	Optional parts	5
1.4	Tools required (not included)	5
2	Safety instructions	5
2.1	General safety instructions	5
2.2	Safety warning when installing	6
2.3	Maintenance and cleaning	6
3	Installation	6
3.1	Check the contents of the package	6
3.2	Installation steps	7
4	Optional parts	12
4.1	Installing the back panel	12
4.2	Installing the feet	13
5	Maintenance	13
6	Disposal	14
7	Warranty	14

1 PRODUCT

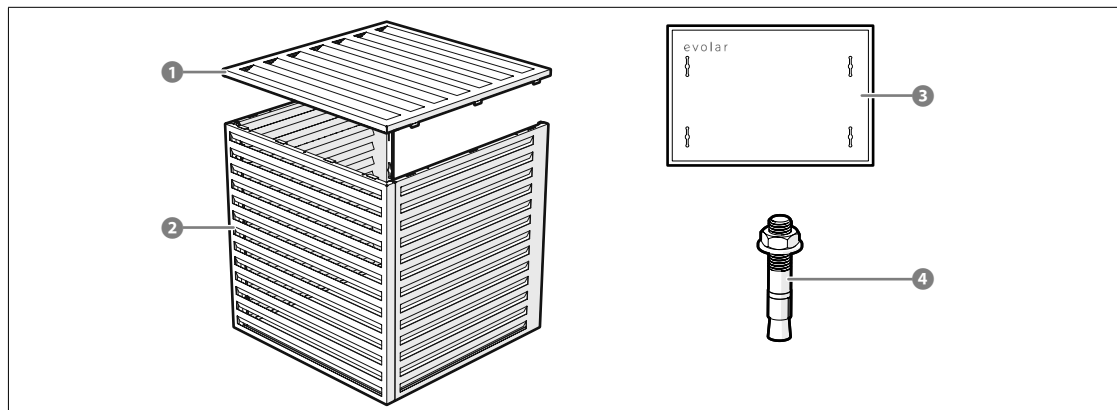
1.1 Description

The Evolar Evo cover is a heat pump/air conditioning/outdoor unit enclosure. The Evolar Evo cover is intended for use over installed heat pumps/air conditioners/outdoor units.

This manual applies to the following Evolar Evo covers:

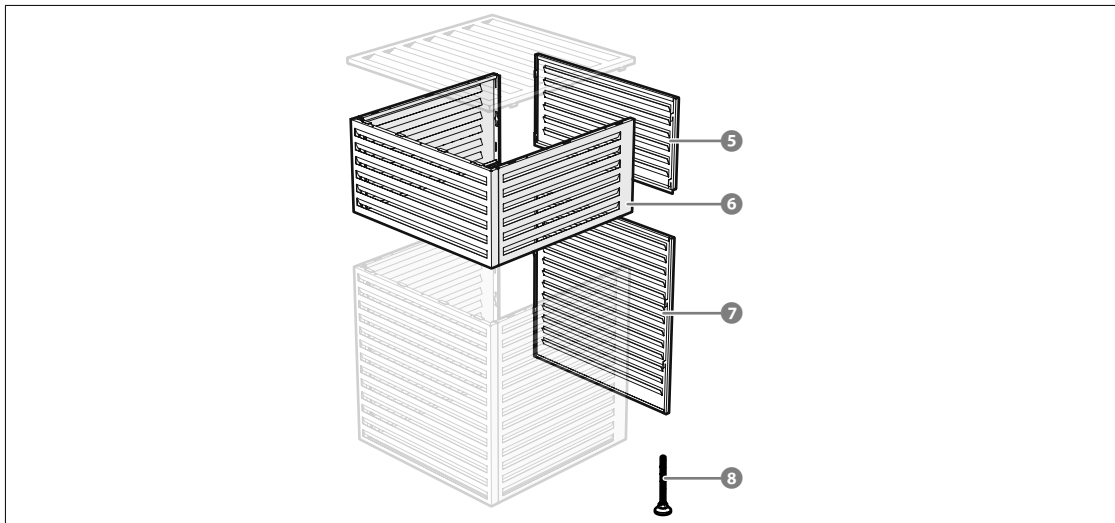
- EVO-COVER-CENT-XL
- EVO-COVER-EXT-XXL
- EVO-LOUVRE-CENT-XL
- EVO-LOUVRE-EXT-XXL

1.2 Main parts



- ① Top cover
- ② Cover
- ③ Drilling template
- ④ Expansion bolts (4×)

1.3 Optional parts



- 5 Back panel extension
- 6 Cover extension
- 7 Back panel
- 8 Feet (4x)

1.4 Tools required (not included)

For mounting with expansion bolts:

- Drill with 10 mm (0.39 inch) bit

2 SAFETY INSTRUCTIONS



Follow the safety instructions in this chapter to prevent hazardous situations.

2.1 General safety instructions

⚠ CAUTION

Risk of injury! The product is designed for use as described in this document. Any usage of the product for purposes other than those specified in this document may lead to hazardous situations. Only use the product and the supplied tools as described in this document.

2.2 Safety warning when installing

NOTICE

Risk of damage to the product! The product cannot withstand impact:

- Do not drop the product and avoid bumping.
- Do not place the product temporarily in a location where it may fall or be knocked over.

2.3 Maintenance and cleaning

NOTICE

Risk of damaging the surface of the product! Harsh chemical cleaning agents, such as ammonia, acid or acetone, can damage the product.

- Only clean the product with a soft, clean, and dry cloth.
- Avoid abrasives that could damage the surface.

3 INSTALLATION

NOTICE

Risk of damage to the product! The product cannot withstand impact:

- Do not drop the product and avoid bumping.
- Do not place the product temporarily in a location where it may fall or be knocked over.

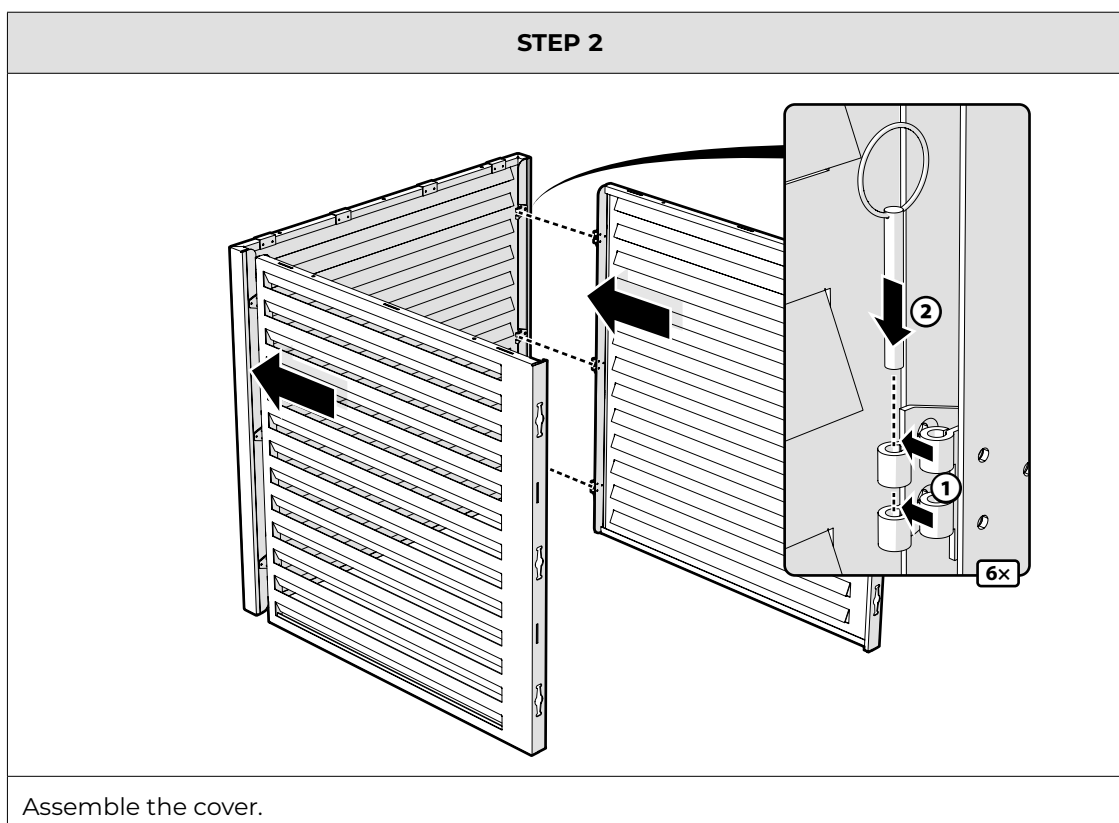
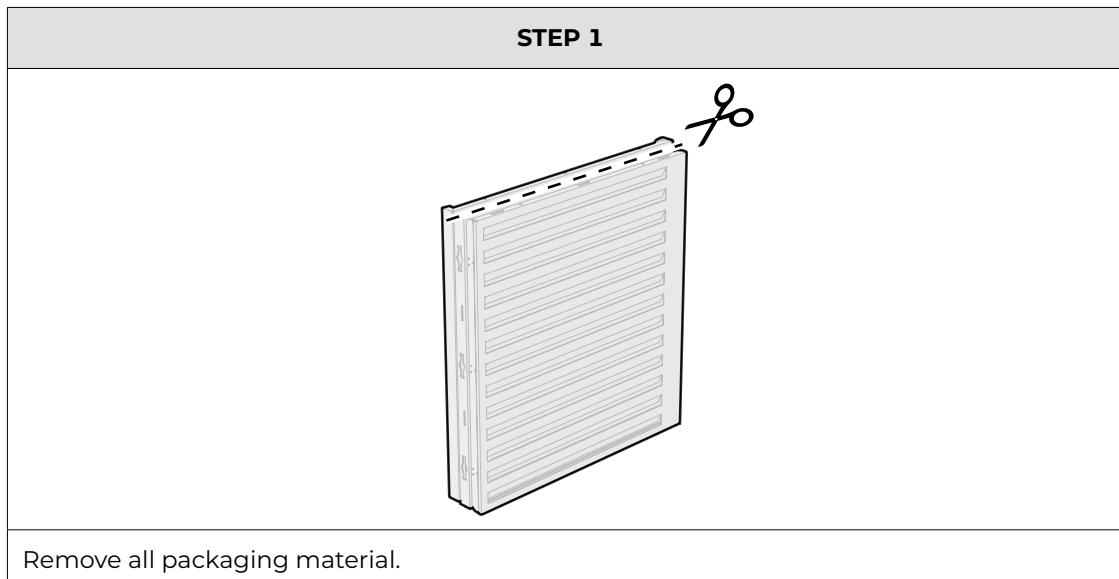
3.1 Check the contents of the package

The table below shows which parts should be present in your packaging.

EVO-COVER-CENT-XL	EVO-COVER-EXT-XXL	EVO-LOUVRE-CENT-XL	EVO-LOUVRE-EXT-XXL
EVO-COVER-CENT	EVO-COVER-EXT	EVO-LOUVRE-CENT	EVO-LOUVRE-EXT
Side panel (2×)	Side panel (2×)		
Front panel (1×)	Front panel (1×)		
Hinge pin (6×)	Hinge pin (4×)		
EVO-COVER-TOP			
Drilling template			
Expansion bolts (4×)			

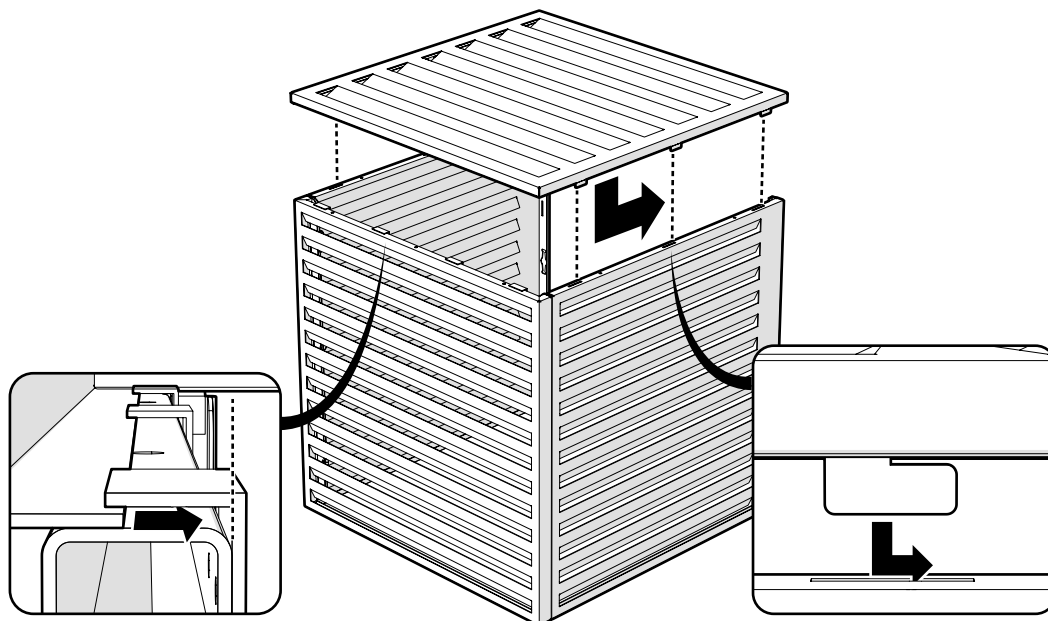
Check that all parts are present and that they are not damaged. If parts are missing or damaged, contact Evolar.

3.2 Installation steps



NAVIGATION	
Installation without cover extension	Step 3
Installation with cover extension	Step 4

STEP 3



Install the top cover.

NAVIGATION

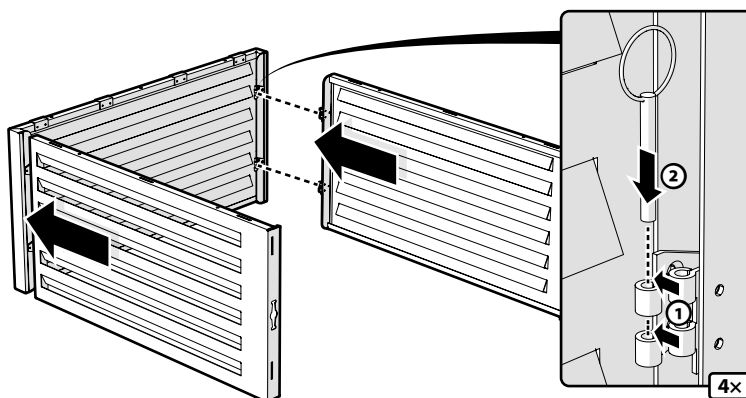
Mounting to a wall

Step 7

Mounting to the floor

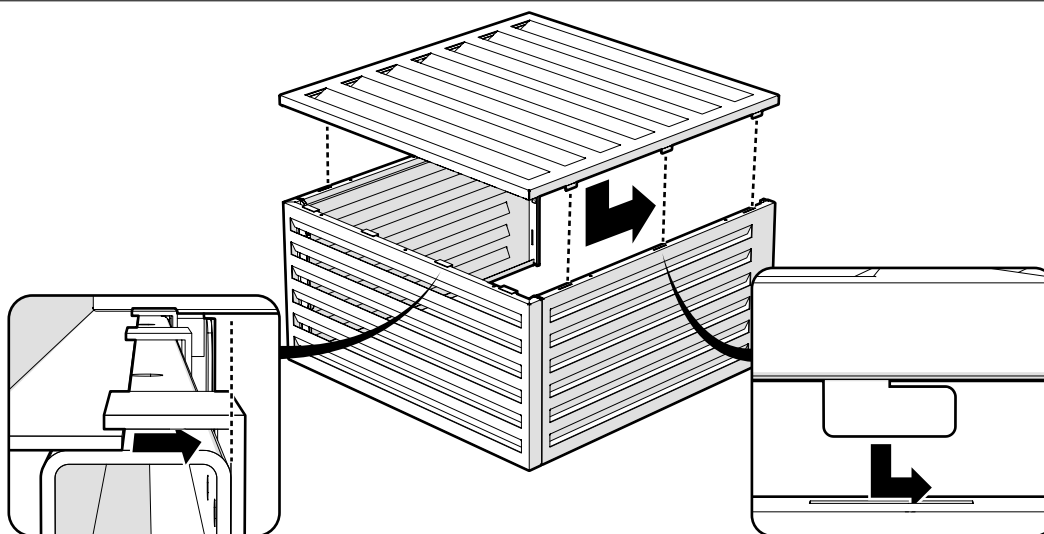
Step 10

STEP 4



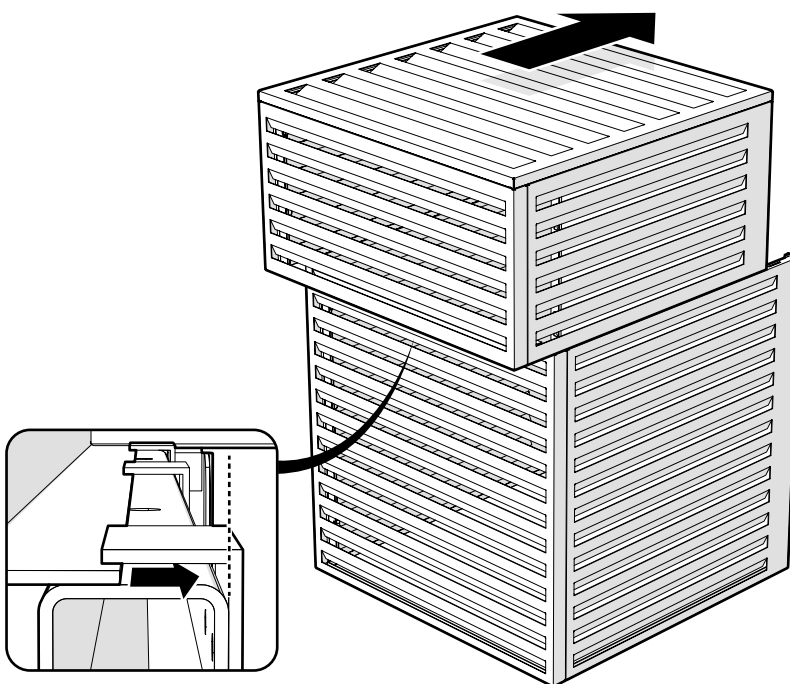
Assemble the cover extension.

STEP 5



Install the top cover.

STEP 6

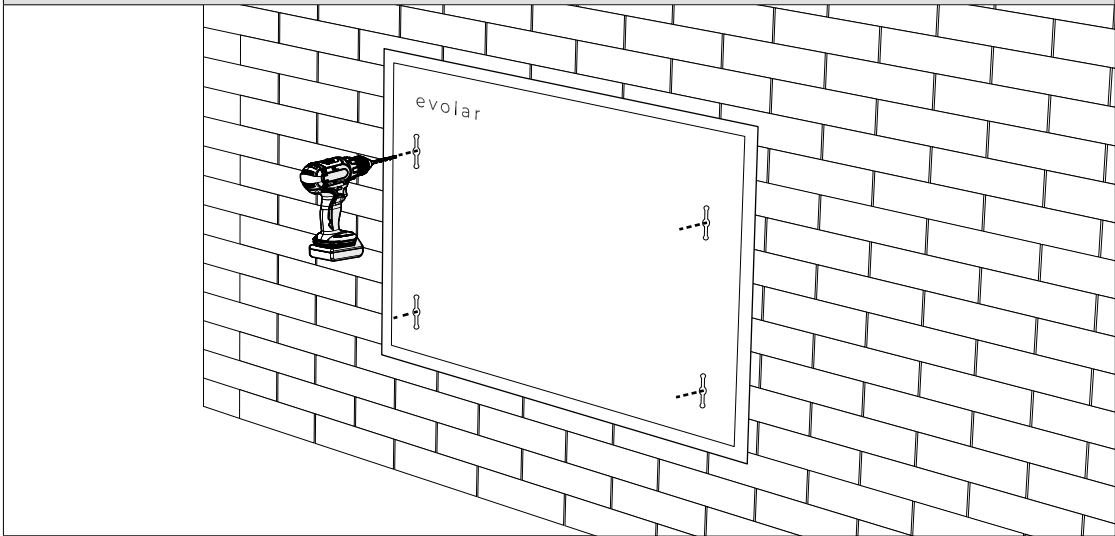


Install the cover extension.

NAVIGATION

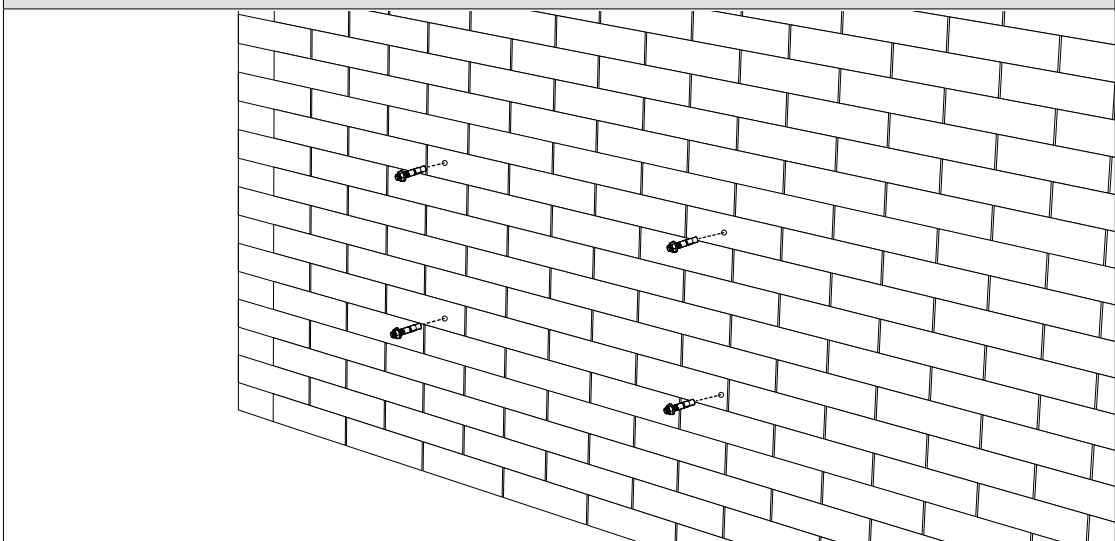
Mounting to a wall	Step 7
Mounting to the floor	Step 10
Freestanding	The installation is finished.

STEP 7



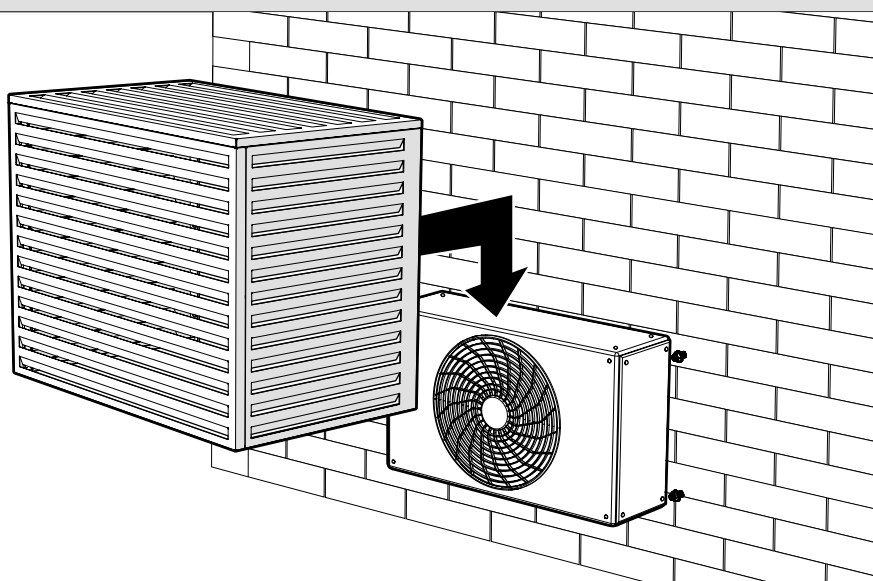
Drill 10 mm (0.39 inch) holes in the wall around your air conditioning/heat pump using the drilling template.

STEP 8



Screw the expansion bolts into the holes.

STEP 9

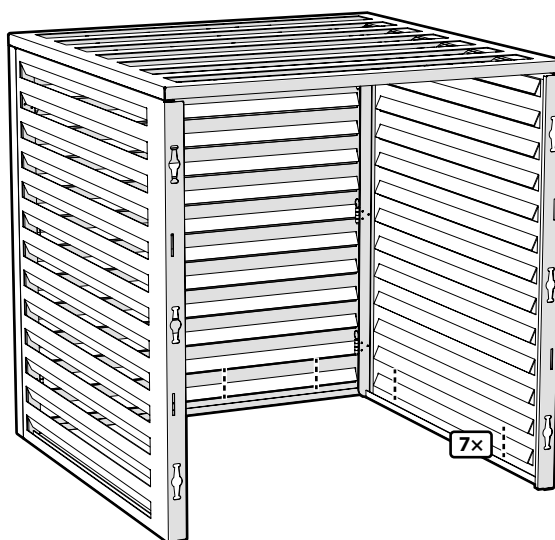


Place the enclosure over the air conditioning/heat pump onto the expansion bolts.

NAVIGATION

The installation is finished.

STEP 10



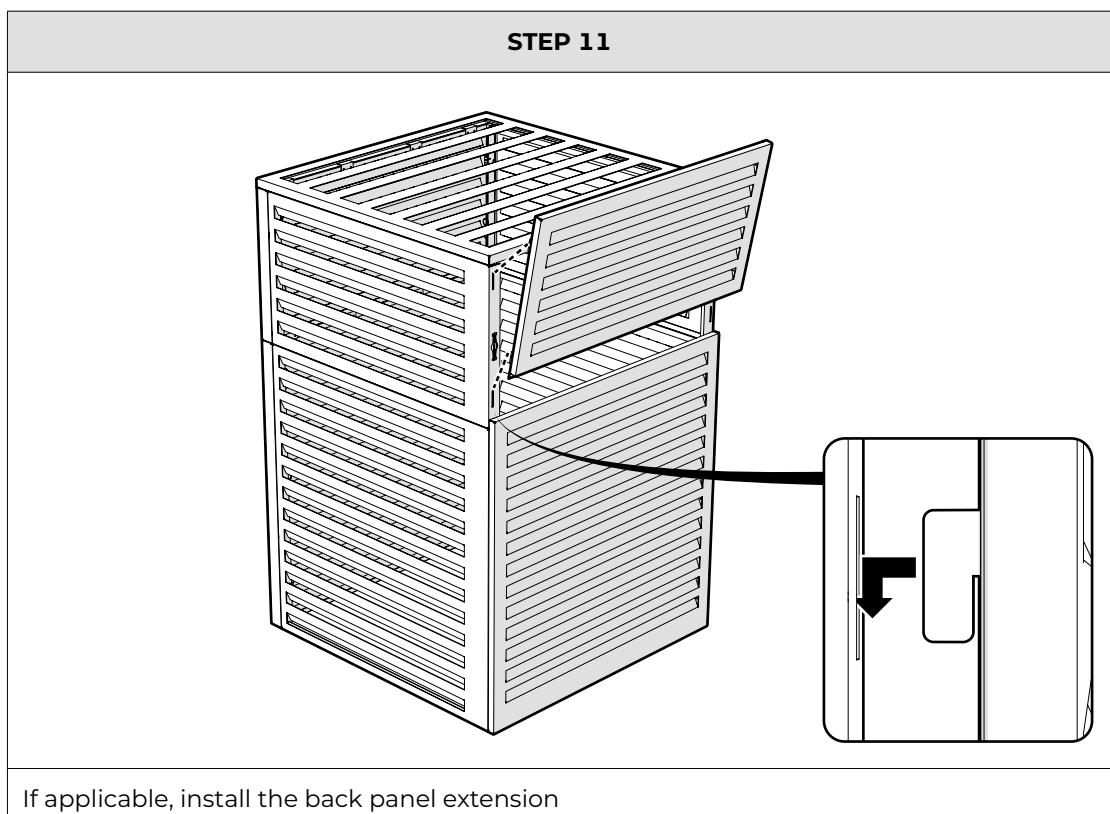
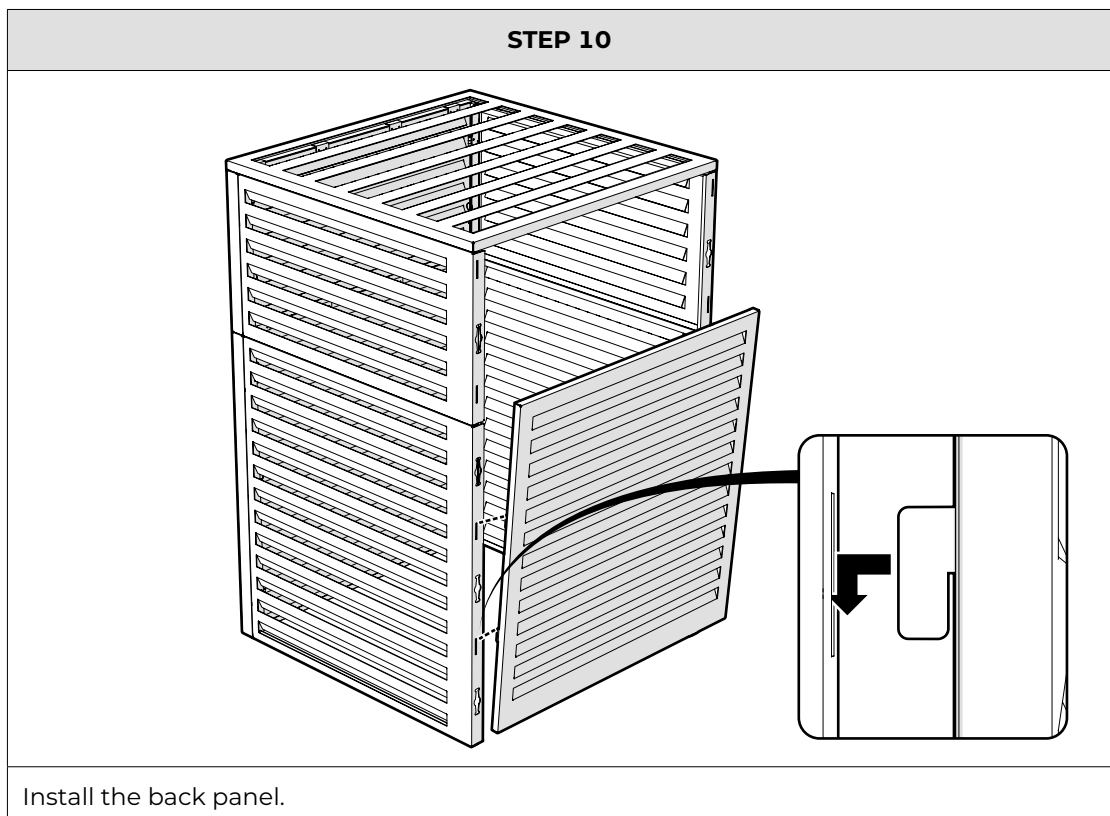
Screw the cover to the floor using the 8 mm holes at the bottom of the cover. Make sure to use a connection appropriate for the floor surface.

NAVIGATION

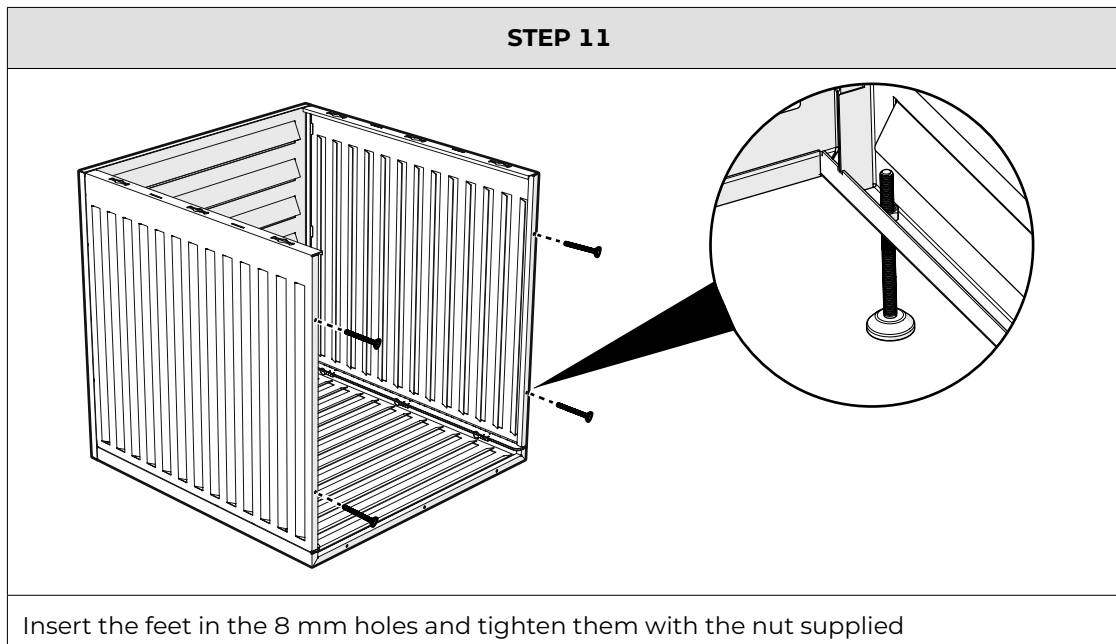
The installation is finished.

4 OPTIONAL PARTS

4.1 Installing the back panel



4.2 Installing the feet



5 MAINTENANCE

NOTICE

Risk of damaging the surface of the product! Harsh chemical cleaning agents, such as ammonia, acid or acetone, can damage the product.

- Only clean the product with a soft, clean, and dry cloth.
- Avoid abrasives that could damage the surface.

6 DISPOSAL

Follow the local regulations for disposing of the Evolar Evo cover.

7 WARRANTY

The Evolar Evo cover has a warranty period of 24 months. This warranty is void if the Evolar Evo cover has been used differently than indicated in this manual.

evolar

Evolar inc.

700 Milam Street, Suite 1300 - #353
Houston, Texas 77002
United States

T +31 (0)24 2120369
www.evolarshop.com

EN – Original user manual
V1.0 | 09-2023