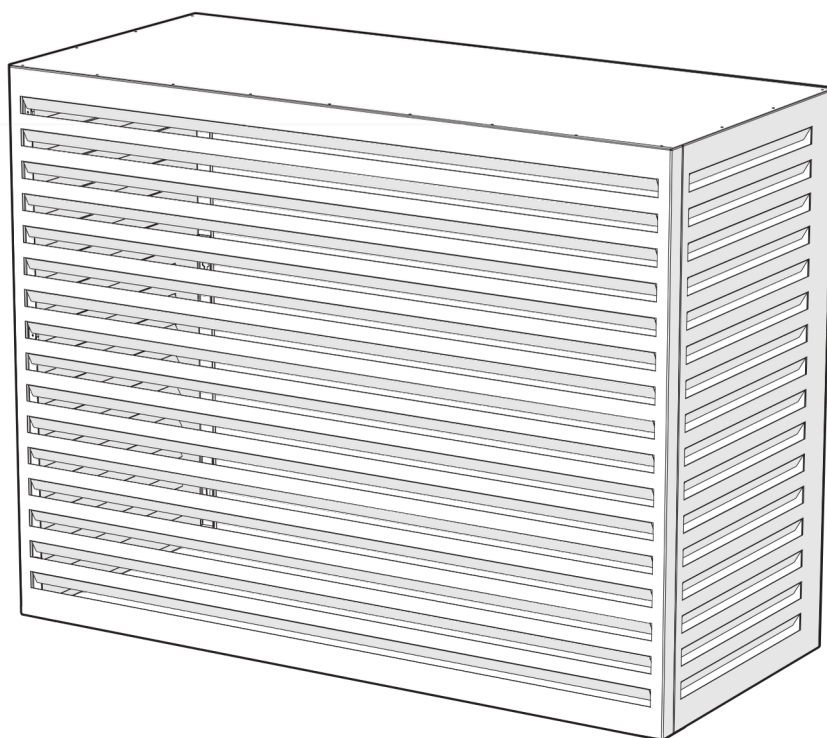


evolar



Modelnumbers: EVO-COVER-S, EVO-COVER-M, EVO-COVER-L

EVOLAR COVER

User manual

FOREWORD

Thank you for purchasing the Evolar cover.

This manual contains all the information required for the safe and correct use and installation of the Evolar cover.

Make sure you have read and understood the entire contents of this manual before installing or maintaining the product.

Symbols in this manual

Symbols	Explanation
CAUTION	Indicates that failure to follow the instructions properly may cause slight injury or damage to the product.
NOTICE	Indicates that failure to follow the instructions properly may damage the product.

CONTENTS

1	Product	1
1.1	Description	1
1.2	Main parts (included)	1
1.3	Optional parts	2
1.4	Tools required (not included)	2
2	Safety instructions	3
2.1	General safety instructions	3
2.2	Safety warning when installing	3
2.3	Maintenance and cleaning	3
3	Installation	4
3.1	Check the contents of the package	4
3.2	Installation steps	4
4	Optional parts	8
4.1	Feet	8
4.2	Back panel	9
4.3	Bottom panel	9
5	Maintenance	10
6	Disposal	10
7	Warranty	10

1 PRODUCT

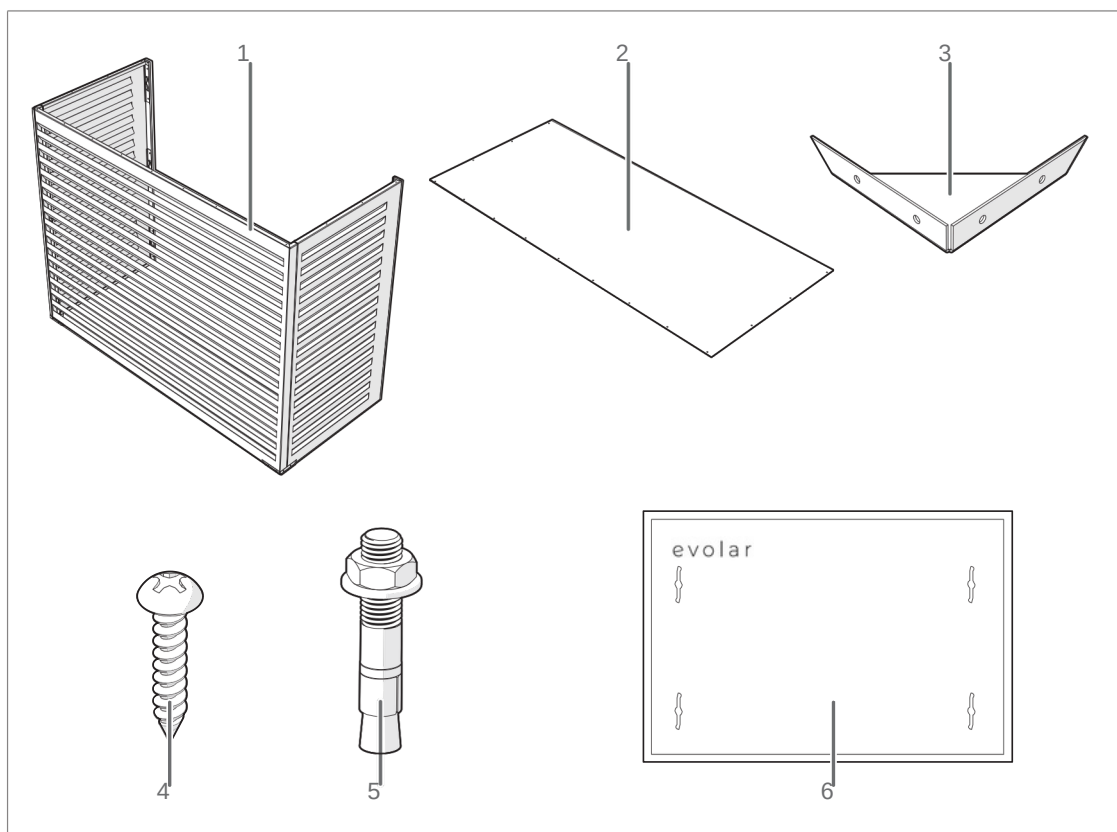
1.1 Description

The Evolar cover is a heat pump/air conditioning enclosure. The Evolar cover is intended for use over installed heat pumps/air conditioners.

This manual is suitable for the following Evolar covers:

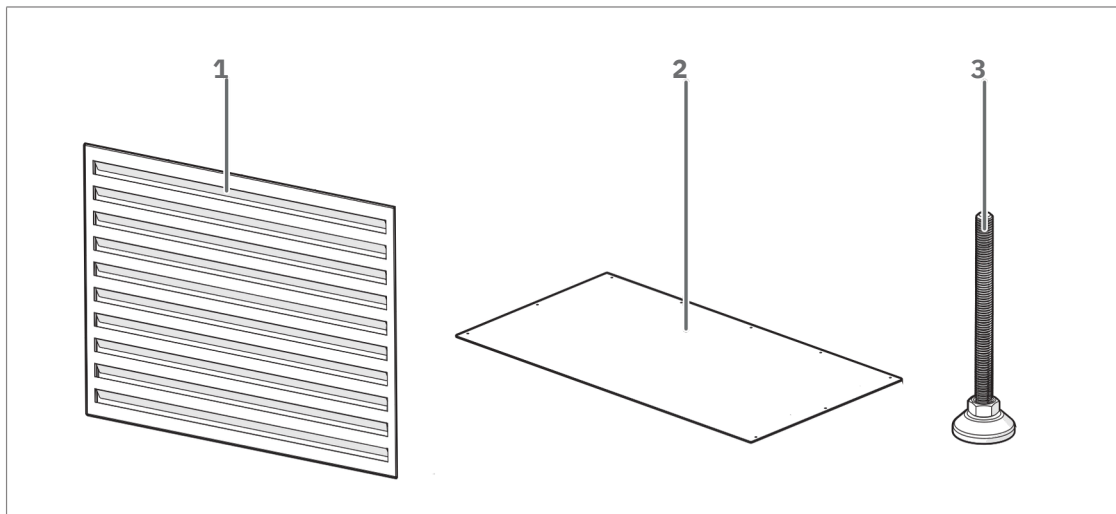
- Evolar S (27.56 × 43.31 × 19.69 inch)
- Evolar M (31.50 × 43.31 × 21.65 inch)
- Evolar L (43.31 × 47.24 × 25.59 inch)

1.2 Main parts (included)



- 1 Enclosure
- 2 Roof panel
- 3 Corner profile 2x
- 4 Screws
- 5 Expansion bolts
- 6 Drilling template

1.3 Optional parts



- ① Back panel
- ② Bottom panel
- ③ Feet

1.4 Tools required (not included)

- Screwdriver
- Drill (with 0.31 inch and 0.39 inch bit)

2 SAFETY INSTRUCTIONS

The following safety instructions must be followed to prevent dangerous situations:

2.1 General safety instructions

CAUTION

Only use the product and the tools supplied as described in this document.

2.2 Safety warning when installing

CAUTION

- Do not drop the product and avoid bumping.
- Place the product on a stable and flat surface.

2.3 Maintenance and cleaning

CAUTION

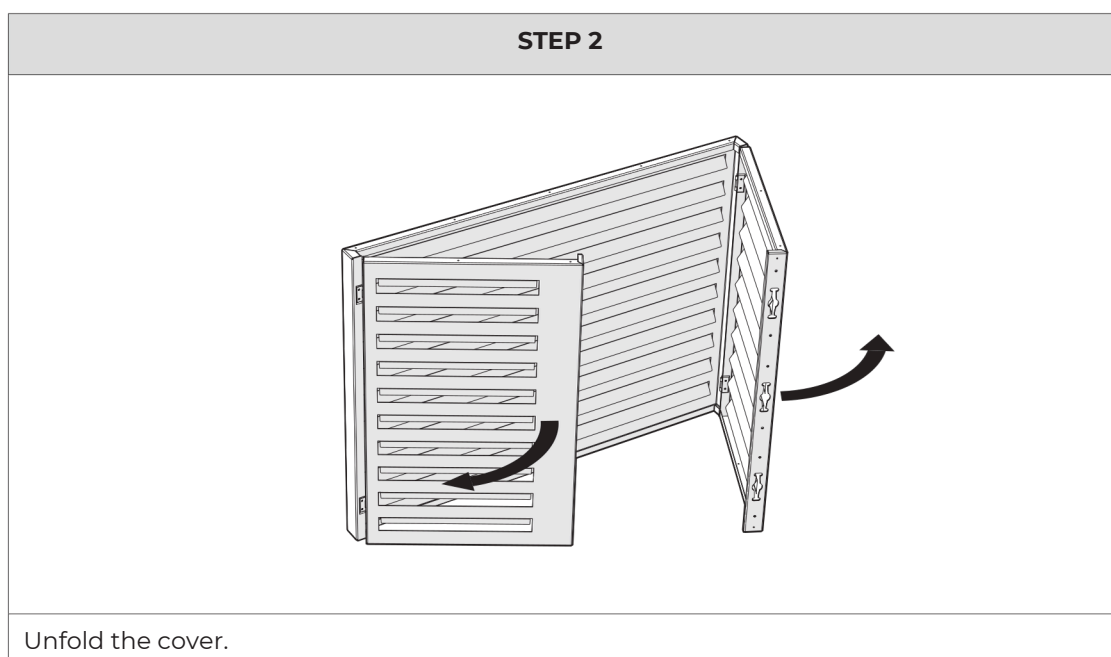
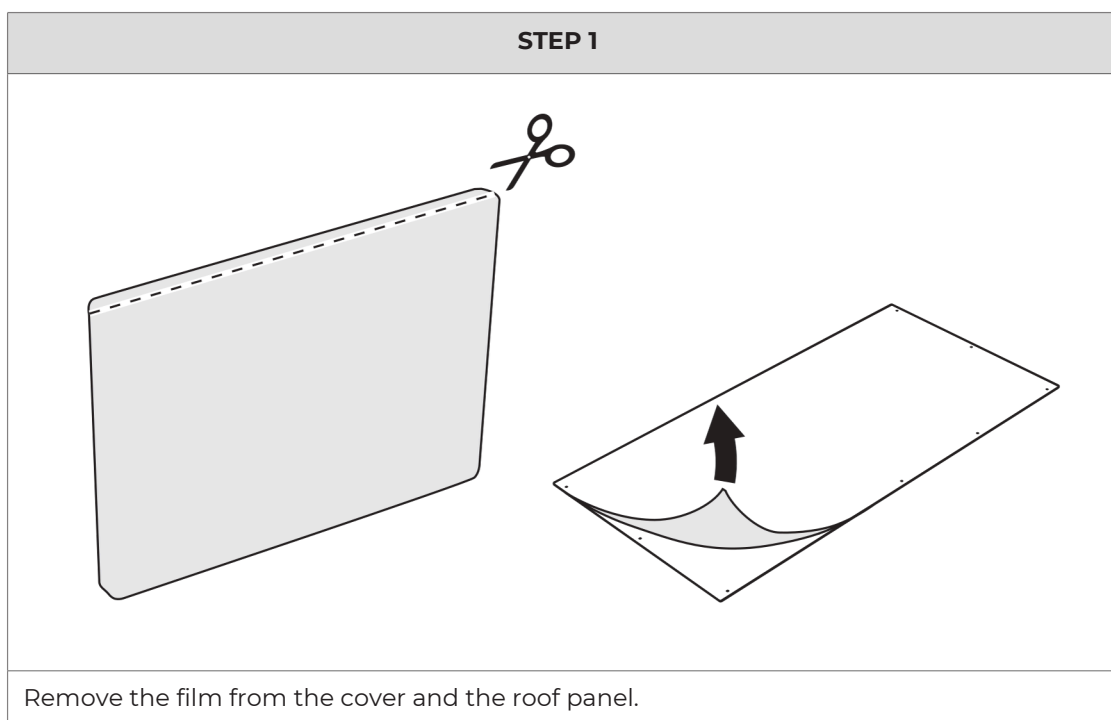
- Clean the product regularly with a soft, clean, dry cloth. Avoid abrasives that could damage the surface.
- Do not use harsh chemical cleaning agents such as ammonia, acid or acetone when cleaning the product.

3 INSTALLATION

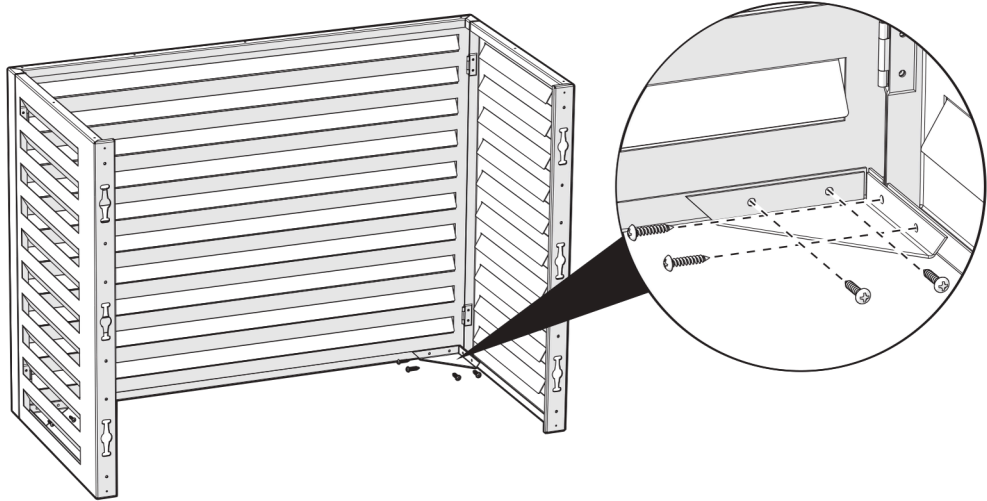
3.1 Check the contents of the package

Check that all parts are present and that they are not damaged. If parts are missing or damaged, contact Evolar.

3.2 Installation steps

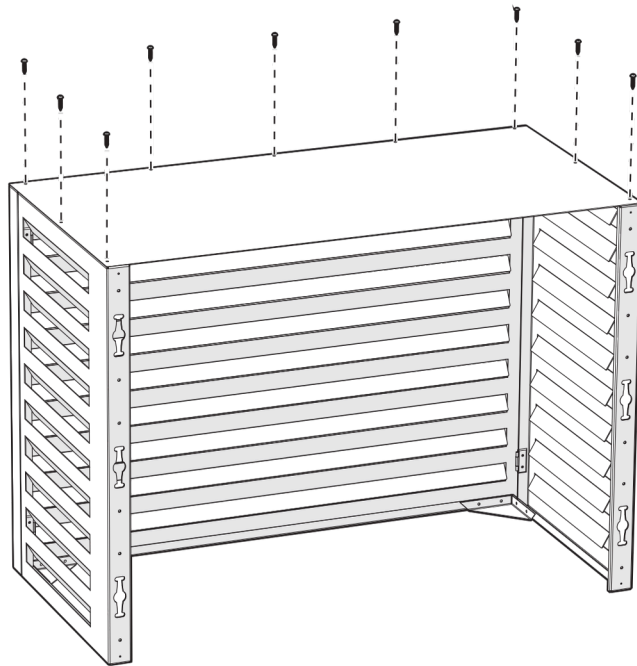


STEP 3



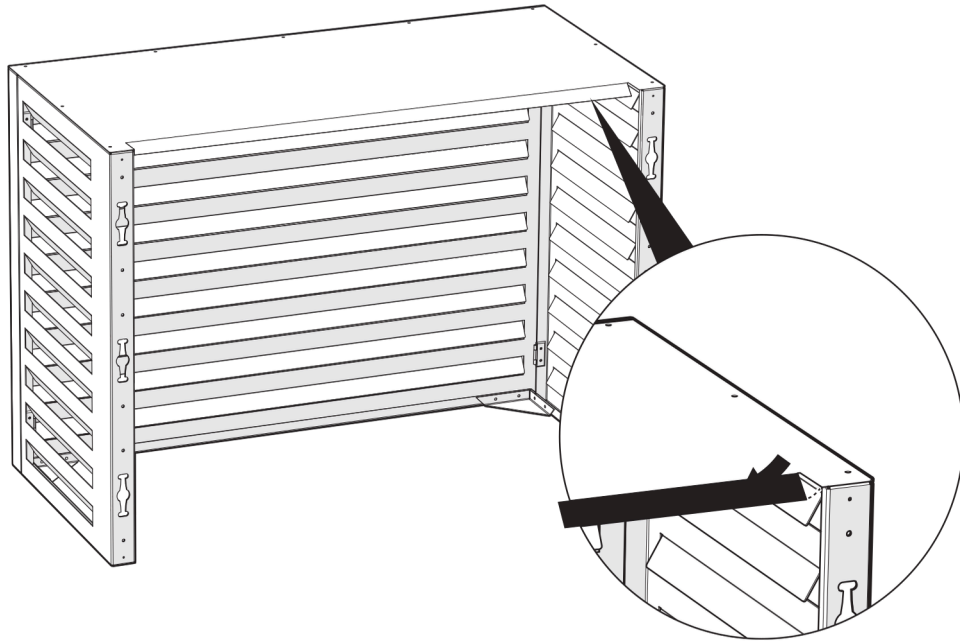
Fasten the corner profiles with the screws.

STEP 4



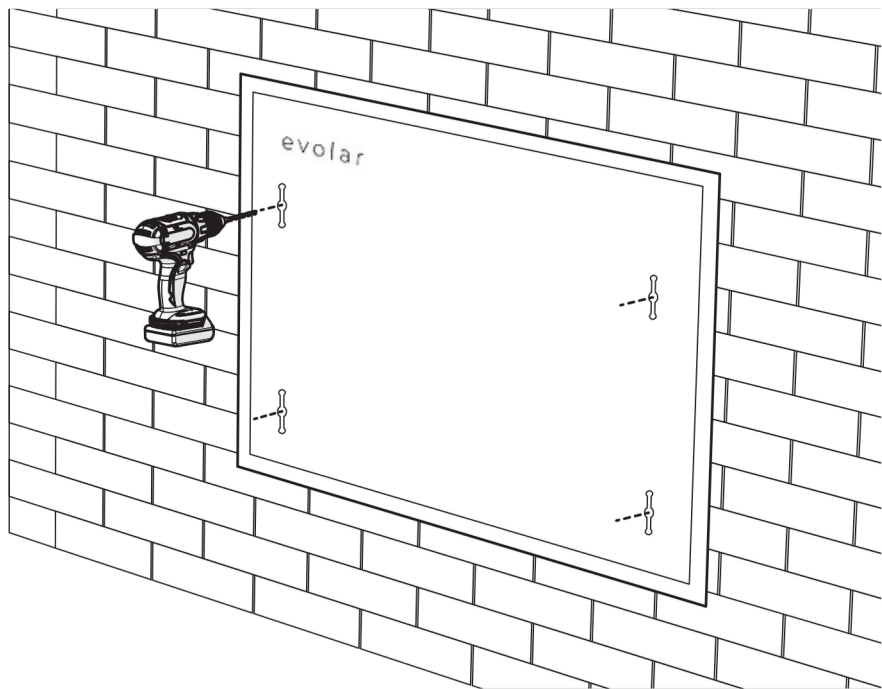
Fasten the roof panel onto the cover with the screws.

STEP 5 (OPTIONAL)



If the heat pump requires more air supply, fold the folding edge of the top plate downwards.

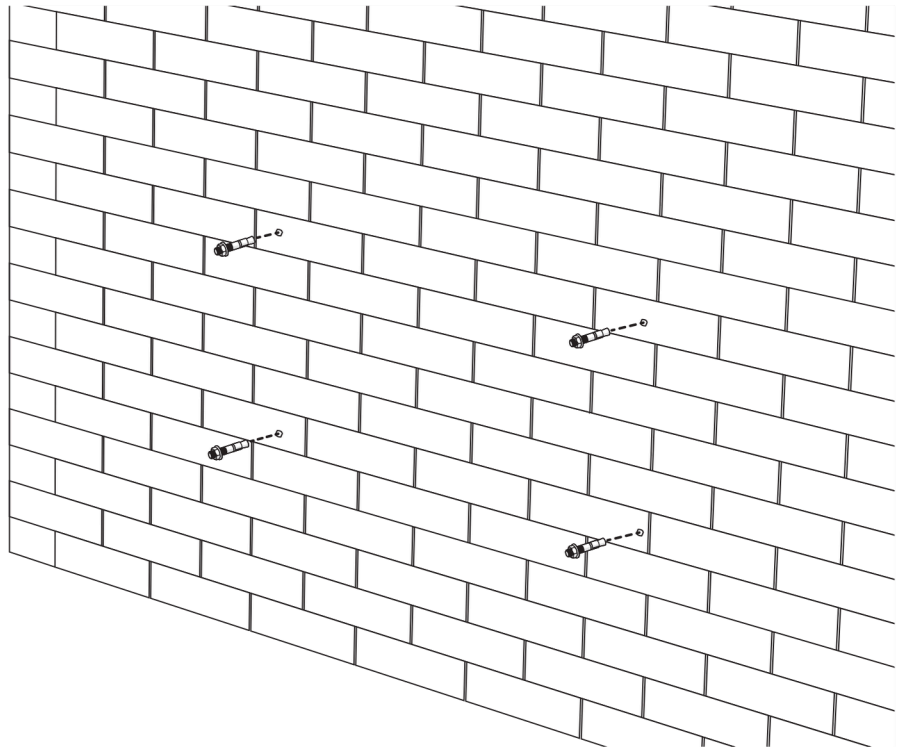
STEP 6



NOTICE

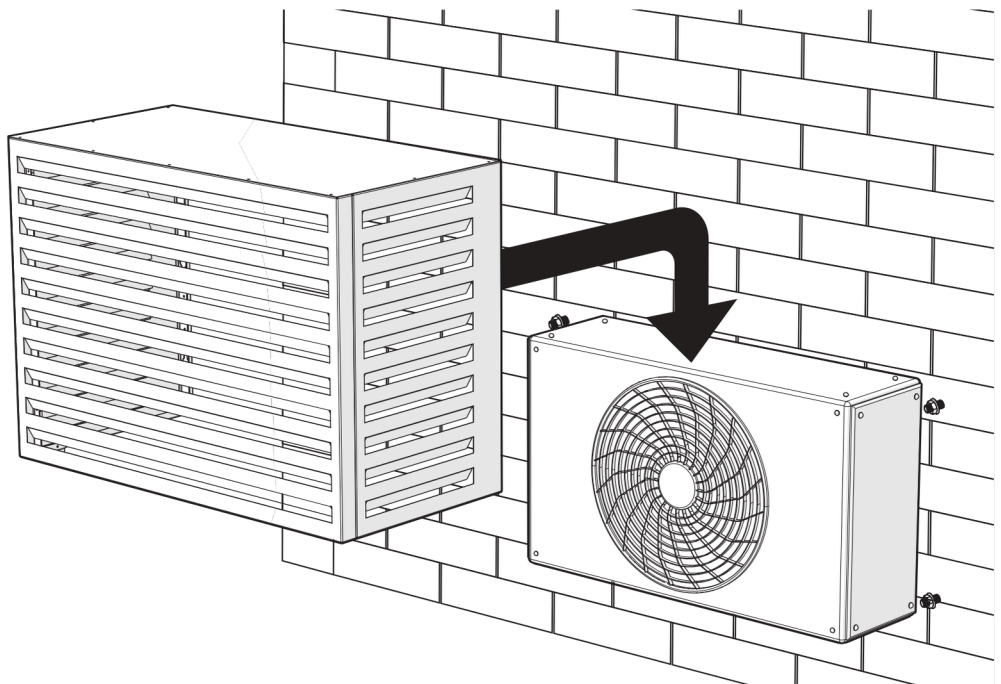
Drill the holes around your installed heat pump.
Drill 0.39 inch holes in the wall using the drilling template supplied.

STEP 7



Screw the expansion bolts into the 0.39 inch holes.

STEP 8

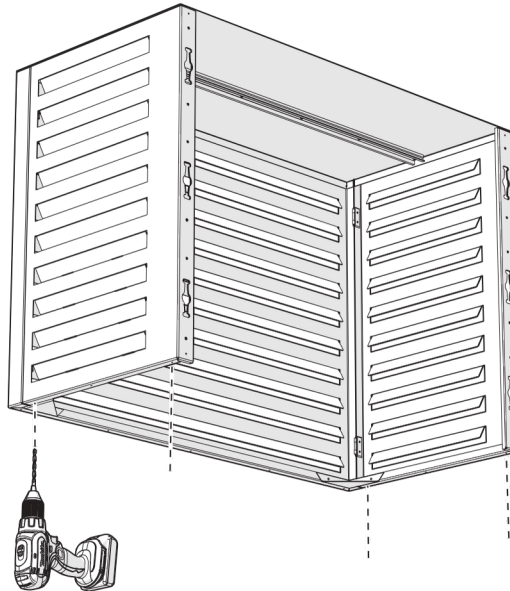


Place the cover over the air conditioning/heat pump and/or expansion bolts.

4 OPTIONAL PARTS

4.1 Feet

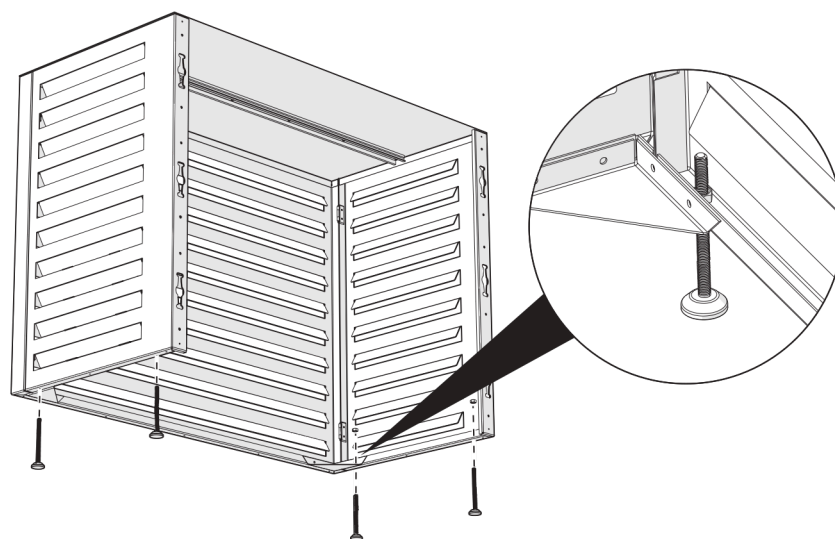
STEP 1



NOTICE

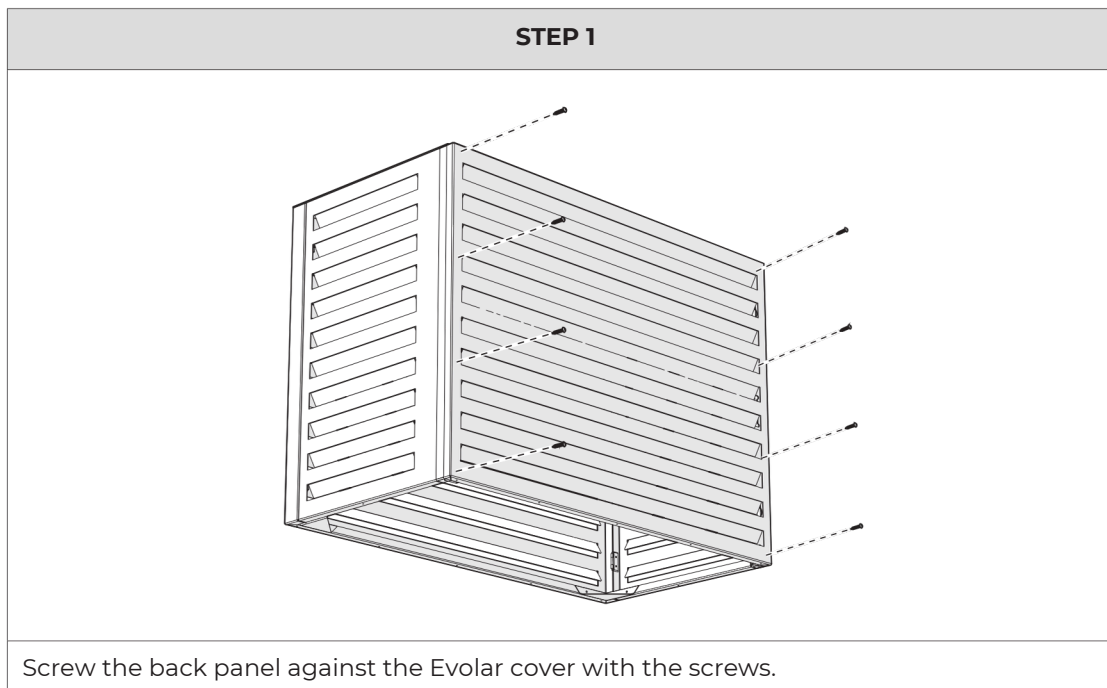
Some Evolar covers already have pre-drilled holes.
Drill 0.31 inch holes at the corners underneath the cover.

STEP 2

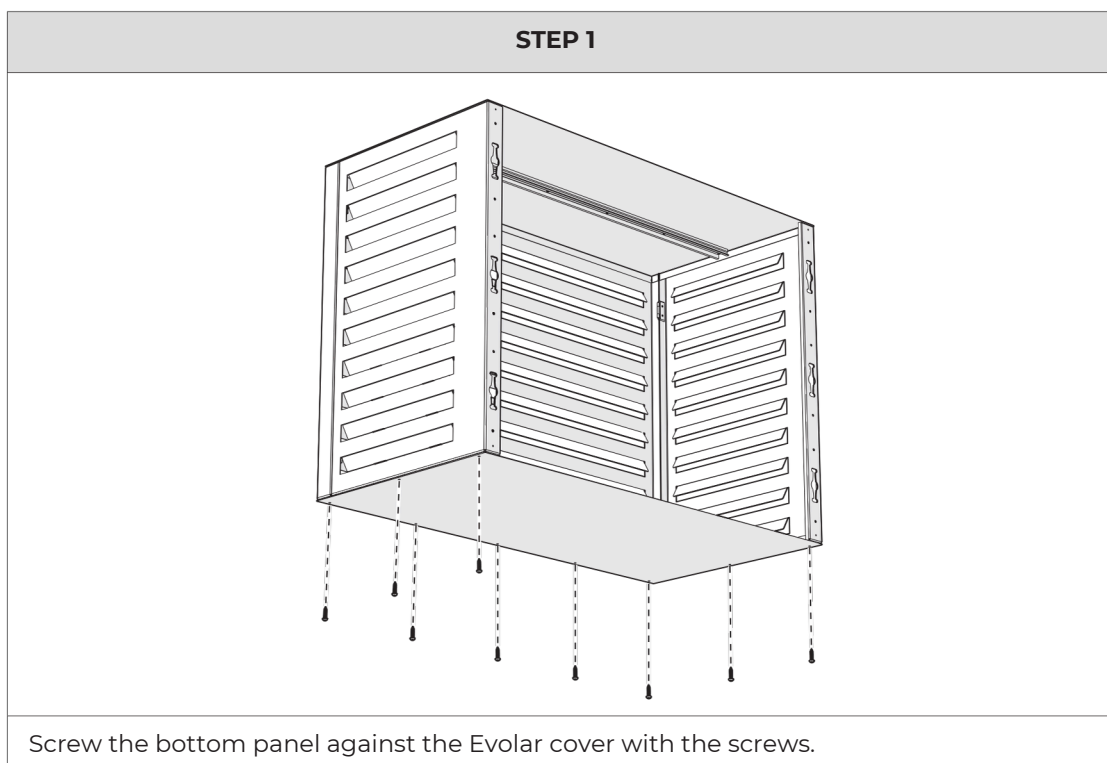


Insert the feet in the 0.31 inch holes and tighten them with the nut supplied.

4.2 Back panel



4.3 Bottom panel



5 MAINTENANCE

CAUTION Clean the product regularly with a soft, clean, dry cloth. Avoid abrasives that

- could damage the surface.
- Do not use harsh chemical cleaning agents such as ammonia, acid or acetone when cleaning the product.

6 DISPOSAL

Follow the local regulations for disposing of the Evolar cover.

7 WARRANTY

The Evolar cover has a warranty period of 15 years. This warranty is void if the Evolar cover has been used differently than indicated in this manual.

evolar

Evolar

Mercuriusstraat 5
6541 BM Nijmegen
The Netherlands

T +31 (0)24 2120369
www.evolarshop.com

V1.0 | 05-2023